



TECHNICAL CHARACTERISTICS

- > Total height: 821 mm
- > Seat height: 450 mm
- > Seat width: 398 mm
- > Structure: 30 x 50 mm steel tube, thickness 2 mm
- > Base plates: 100 x 40 mm, thickness 5 mm
- > With or without armrest (thickness 8 mm)

Steel and wood version:

- Two lengths: 1200 ou 1800 mm (for 1800 mm version in recycled plastic version seat reinforced with galvanised steel frame)
- Seat and back PEFC certified oak thickness 36 mm, slat width 115 mm

All steel version:

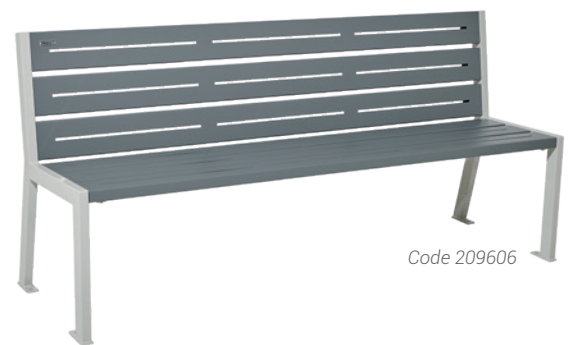
- Length 1800 mm
- Seat and back in folded 2mm galvanised steel, slat width 120 mm



Code 209602



Code 209611



Code 209606

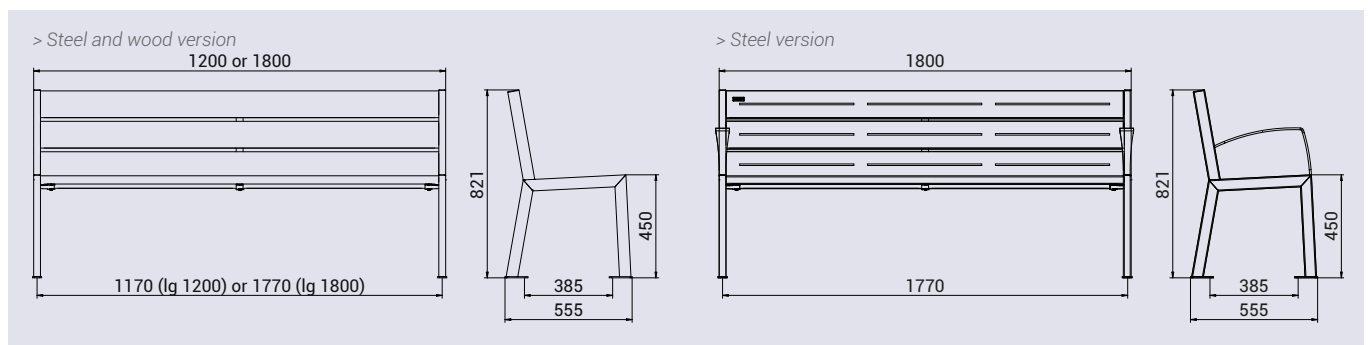
INSTALLATION

- > On base plates
- > Flat packed for self assembly (all wooden slats are pre-drilled for easy assembly)

PRODUCT CODES

	Without armrest	With armrest
Steel and wood version		
Length 1200 mm	209601	209611
Length 1800 mm	209602	209612
Steel version		
Length 1800 mm	209606	209616

DRAWINGS



FINISH PAINTED

- > Structure: steel, zinc-primed and painted in our colours
- > Steel and wood version: seat and back in raw wood finish, light oak or mahogany
- > All steel version: seat and back galvanised and painted in monochrome or twin colours



INSTALLATION DRAWING

